

Clarke®



HYDRAULIC PALLET TRUCK

MODEL NO: PT550BD & PT685BD

PART NO: 7631716 & 7631721

OPERATION & MAINTENANCE INSTRUCTIONS

UK
CA | CE

ORIGINAL INSTRUCTIONS

GC1122

INTRODUCTION

Thank you for purchasing this CLARKE Hydraulic Pallet Truck designed to lift and transport the rated load on industrial pallets.

Before attempting to use this product, please read this manual thoroughly and follow the instructions carefully. In doing so you will ensure the safety of yourself and that of others around you and you can look forward to your purchase giving you long and satisfactory service.

Keep these instructions safe for future reference.

INTENDED USE

The operator / operating company has to ensure the correct use and that this pallet truck is used only by staff who are trained and authorized to use it.

PRODUCT SPECIFICATION

	PT685BD	PT550BD
Part No	7631721	7631716
Roller layout/type	Double/PU	Double/PU
Width to outside of forks	685 mm	550 mm
Fork Length	1220 mm	1150 mm
Gap between forks.	365 mm	230 mm
Fork height lowered	85mm	85mm
Maximum Capacity	2500 kg	2500 kg
Dims (L x W x H) mm	1630 x 685 x 1214	1543 x 550 x 1214
Weight	68 kg	59.5 kg
Turning radius (mm)	1276	1276
Max lifting height (mm)	195	195
Lowering speed	0.08m/s	0.08m/s
Oil capacity	250 ml	250 ml

SAFETY INSTRUCTIONS



WARNING: THE TRUCK HAS TO BE USED ON SUBSTANTIALLY FIRM, SMOOTH, LEVEL AND PREPARED SURFACES. THE LOAD MUST BE PLACED CENTRALLY ON THE FORKS.

The operator should read all warning signs and instructions here and on the pallet truck before use.

1. Examine the condition of the pallet truck before use, with particular attention to the wheels, handle, forks and lift/lower controls. DO NOT use the pallet truck if any defects are found.
2. DO NOT operate a hand pallet truck unless you are familiar with it and have been trained or authorized to do so.
3. DO NOT make any changes or modifications to the pallet truck.
4. DO NOT use if the wheels or rollers are damaged. Have them replaced immediately.
5. Keep the work area tidy and well lit.
6. Keep children and bystanders away from the work area.
7. DO NOT exceed the capacity of the pallet truck. Refer to the labelling on the pallet truck and the Product Specification section in this manual,
8. DO NOT use on rough terrain. The pallet truck is designed for use on smooth flooring only.
9. DO NOT use the pallet truck on a gradient if the load is too heavy to be easily handled by the operator. The pallet truck must not be used by anyone not capable of handling the full weight of the truck when loaded.
10. Watch for differences in the floor levels when moving the truck. The load may overbalance or the truck could become uncontrollable.
11. DO NOT let the pallet truck come into direct contact with food.
12. DO NOT use the truck in explosive atmospheres.
13. The operator must wear safety shoes and gloves.
14. DO NOT allow personnel other than the operator to stand in front of or behind the truck when it is moving or lifting/lowering.
15. DO NOT put your foot in front of rolling wheels. Injury could result.
16. DO NOT use the pallet truck as a jack.
17. Ensure nothing is beneath the pallet truck forks prior to lowering, especially anyone's feet.

18. Load the pallet truck evenly with the centre of gravity of the load above the centre of the forks. DO NOT move unstable or loosely stacked loads. Use extra care when moving long, tall or wide loads which impair your view.
19. Keep watching the load and stop if the load becomes unstable.
20. When not in use, always make sure that the truck is stored where it is not a danger to others. DO NOT leave the truck on a gradient without first securely chocking the wheels.
21. Carry out maintenance work according to the "Care & Maintenance" on page 9.
22. This truck is not designed to be water resistant, therefore use it in a dry environment.

ENVIRONMENTAL PROTECTION

DO NOT dispose of this product or its packaging with general household waste. All tools, accessories and packaging should be sorted, taken to a recycling centre and disposed of appropriately.

To avoid pollution due to oil leakage the user should provide some absorbent materials to capture any escape of oil during refilling of the hydraulic mechanism. Such materials should then be disposed of appropriately.

If disposing of this product or any damaged components, do not dispose of with general waste. This product contains valuable raw materials. Metal products should be taken to your local civic amenity site for recycling of metal products.

GUARANTEE

This product is guaranteed against faulty manufacture for a period of 12 months from the date of purchase. Please keep your receipt which will be required as proof of purchase.

This guarantee is invalid if the product is found to have been abused or tampered with in any way, or not used for the purpose for which it was intended.

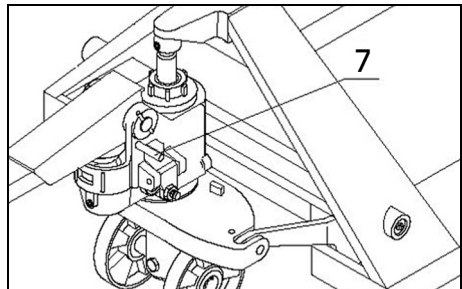
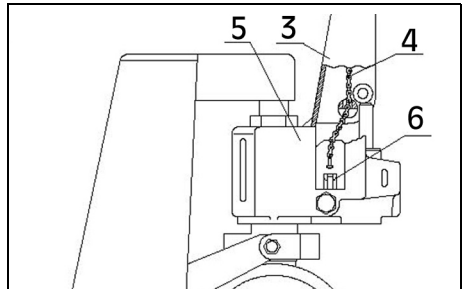
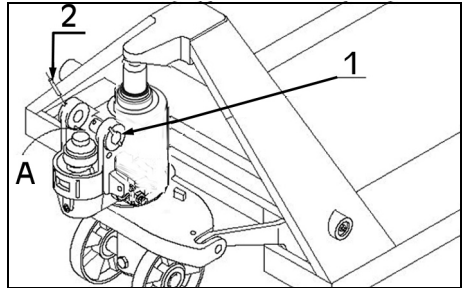
Faulty goods should be returned to their place of purchase, no product can be returned to us without prior permission.

This guarantee does not effect your statutory rights.

ASSEMBLY

After unpacking it is necessary to attach the handle assembly as follows:

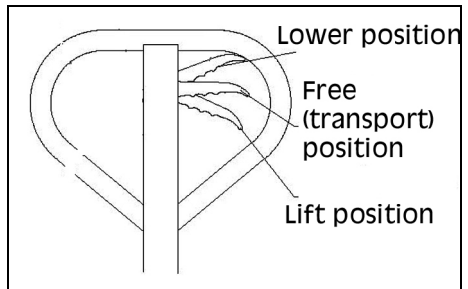
1. Withdraw the hinge pin (1) from the truck frame.
2. Take the handle assembly and lower the end of the chain through the hole in the pump body so that it emerges at the bottom of the housing.
3. Insert the hinge pin through the handle and frame to connect the handle to the truck and secure the hinge with the cotter pins at each end.
4. Take the end of the chain and lead it past the hinge pin and engage it with the actuating lever (6).
5. Move the handle assembly to the level position and remove the travel pin (7). Store it safely for future use.



ADJUSTMENT

The control lever has three positions shown and indicated by the label on the handle.

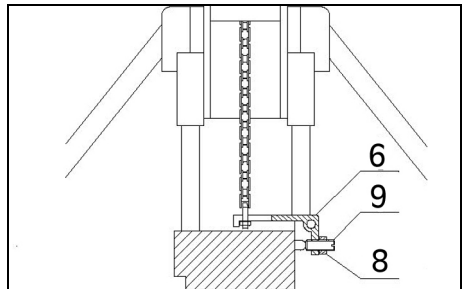
- With the lever pulled to the upper position, the forks will lower.
- The middle position allows the load to be transported.
- The lower position will cause the forks to lift when the handle is pumped.



The screw (9) is used to adjust the range of movement of the handle relative to the hydraulic pump.

Raise and lower the handle to make the forks lift up.

1. If the truck drops immediately after it is raised, turn the screw (9) in a counter-clockwise direction. Test again to see if the truck lifts normally.
2. If the truck fails to lower after being raised, turn the screw clockwise.



The locking nut (8) is used to secure the mechanism once the correct setting is achieved.

OPERATING INSTRUCTIONS

BEFORE USE

Daily inspection is advisable to find any defect of the pallet truck. Check the following points before operation.

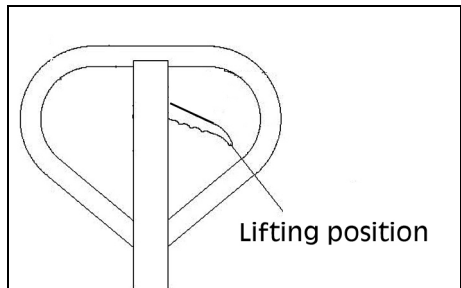
- Visually check for structural damage and listen for any unusual noise or binding of the lifting mechanism.
- Check if there is any oil leakage.
- Raise/lower the forks to check for vertical creep of the lifting mechanism.
- Check for any damage to the wheels and ensure they rotate smoothly.
- Check that all the bolts and nuts are tight.
- Verify that all warning labels are in place.



WARNING: DO NOT USE THE PALLET TRUCK IF ANY DEFECT IS FOUND.

LIFTING

1. Check that the load does not exceed the rated capacity of the truck.
2. Roll the pallet truck with its forks slowly under the pallet/load until the back end of the fork rests against the load.
3. Move the operating lever down to the 'Lifting' position. Lift the load by moving the handle assembly up and down.
 - The load must be evenly distributed across both forks.
 - DO NOT OVERLOAD.



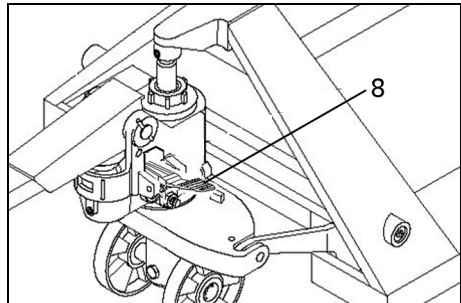
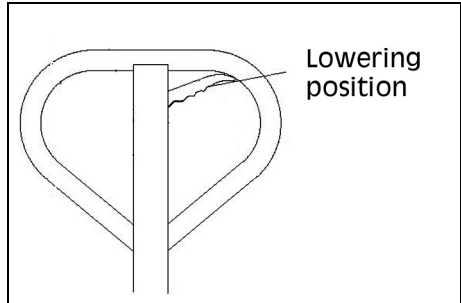
MOVING

1. Ensure the control lever is in its middle (transport) position.
2. Move the truck using the handle assembly.
3. Do not operate the truck on a slope.
4. Watch for differences in the floor level when moving the pallet truck.

5. Make sure that the load is stable.
6. If the pallet truck is moving, DO NOT turn the handle at a right angle to stop the pallet truck.

LOWERING

1. Lower the load by moving the operating lever up to the lowering position carefully.
 - By releasing the lever, the lowering movement will stop.
 - Alternatively, use the foot pedal (8) to lower the load, especially where operating space is restricted.
2. Ensure there is adequate clearance behind you when withdrawing the forks from the pallet.
3. DO NOT put your foot or hand under the lifting components.



PARKING

When parking the pallet truck, lower the forks to the lowest position and park on smooth, level ground where it is not an obstruction. If the ground is not flat, chock the wheels to stop it moving.

MALFUNCTIONS

If there is any malfunction stop using the truck until it is repaired by your local CLARKE dealer.

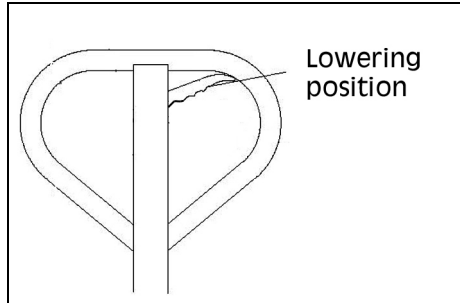
CARE & MAINTENANCE

Whilst the pallet truck requires very little maintenance, the following care can be expected.

PURGING AIR FROM THE HYDRAULIC SYSTEM

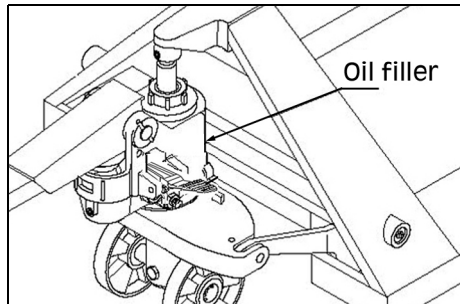
If the pallet truck has been transported over any distance or has been overturned at any time, air may have entered the hydraulic system. This will make it impossible to raise the forks under load.

1. Hold the control handle in the 'lower' position.
2. Move the handle up and down several times.



CHECKING THE OIL

1. Check for any oil leaks and top up if necessary at the filler plug.
 - The capacity is approximately 0.25 litre.
 - The recommended type is L-Hydraulic 32 oil, provided the truck is not to be used outside the temperature range of -20°C to +40°C.



TROUBLESHOOTING

PROBLEM	CAUSE	ACTION
The forks cannot be raised to the max height	Hydraulic oil is low	Top up oil.
	The oil is contaminated with moisture.	Change the oil.
	The chain adjustment for the operating lever is incorrect	See page 6.
	Air in the hydraulic system.	Purge air from the hydraulic system. See page 9.
The forks cannot be lowered	The piston rod is deformed resulting from load slanting to one side or over loading.	Replace the piston rod or return to CLARKE dealer for overhaul.
	The fork was kept in the raised position for long time with the piston rod exposed to dampness which caused rusting and jamming of the rod.	Keep the fork in the lowest position when not in use and lubricate the piston rod.
	The chain adjustment for the operating lever is incorrect	See page 6.
Oil I leaks from the ram	Oil seals are worn or damaged.	Replace with the new one or return to CLARKE dealer for overhaul.
The forks lower on their own.	Impurities in the oil cause the release valve to remain open.	Replace with the new oil.
	Leaks in the hydraulic system.	Return to CLARKE dealer for overhaul.
	Air in the hydraulic system.	Purge air from the hydraulic system. See page 9.
	The chain adjustment for the operating lever is incorrect	See page 6.

Do not attempt to repair the pallet truck unless you are trained or authorized to do so.

DECLARATIONS OF CONFORMITY



Clarke[®]
INTERNATIONAL

Fitzwilliam Hall, Fitzwilliam Place, Dublin 2

DECLARATION OF CONFORMITY

This is an important document and should be retained.

We hereby declare that this product(s) complies with the following directive(s):
2006/42/EC Machinery Directive

The following standards have been applied to the product(s):
EN ISO 3691-5:2015/A1:2020, EN 16307-1:2020.

The technical documentation required to demonstrate that the product(s) meet(s) the requirements of the aforementioned directive(s) has been compiled and is available for inspection by the relevant enforcement authorities.

The CE mark was first applied in: 2022

Product Description: 2T & 2.5T Pallet Trucks
Model number(s): PT550ND, PT685ND, PT550BD & PT685BD
Serial / batch Number: N/A
Date of issue: 25/08/2022

Signed:

J.A. Clarke
Director

PT685BD CE: Clarke DDC 08232
PT550BD CE: Clarke DDC 08232
PT685ND CE: Clarke DDC 08232
PT550ND CE: Clarke DDC 08232



Clarke[®]
INTERNATIONAL

Hemncill Street, Epping, Essex CM16 4JG

DECLARATION OF CONFORMITY

This is an important document and should be retained.

We hereby declare that this product(s) complies with the following statutory requirement(s):
Supply of Machinery (Safety) Regulations 2008

The following standards have been applied to the product(s):
EN ISO 3691-5:2015/A1:2020, EN 16307-1:2020

The technical documentation required to demonstrate that the product(s) meet(s) the requirements of the aforementioned legislation has been compiled and is available for inspection by the relevant enforcement authorities.

The UKCA mark was first applied in: 2022

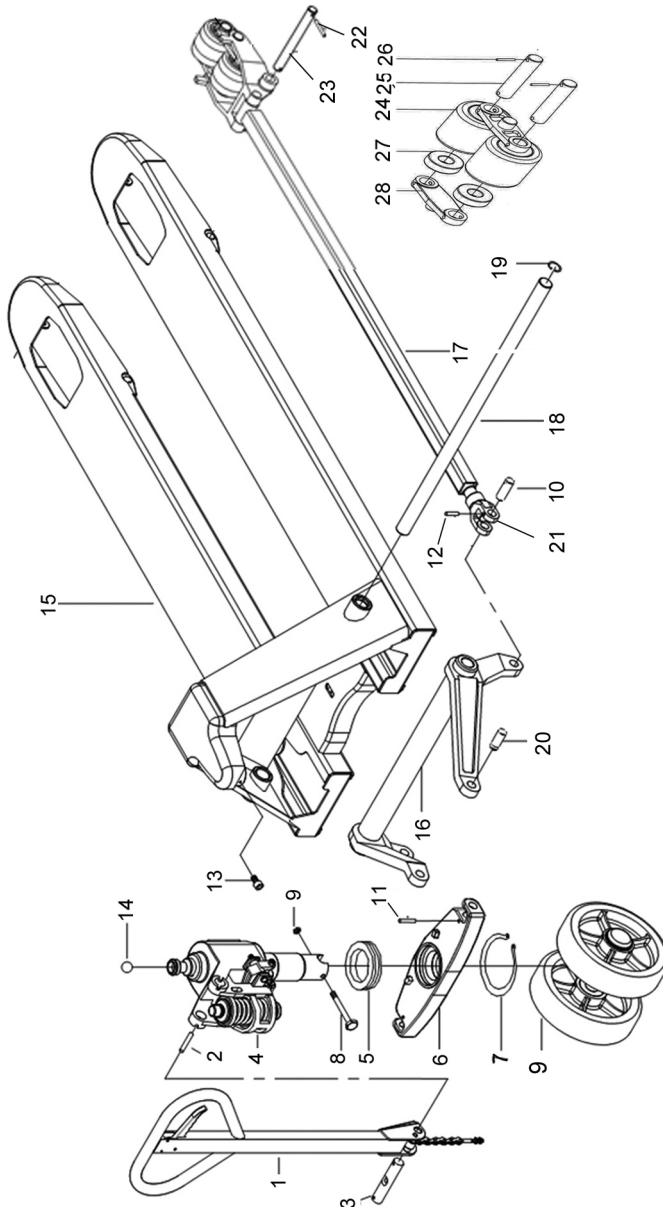
Product Description: 2T & 2.5T Pallet Trucks
Model number(s): PT550ND, PT685ND, PT550BD & PT685BD
Serial / batch Number: N/A
Date of issue: 25/08/2022

Signed:

J.A. Clarke
Director

PT685BD UKCA: Clarke DDC 08232
PT550BD UKCA: Clarke DDC 08232
PT685ND UKCA: Clarke DDC 08232
PT550ND UKCA: Clarke DDC 08232

COMPONENT PARTS - FORKS & FRAME

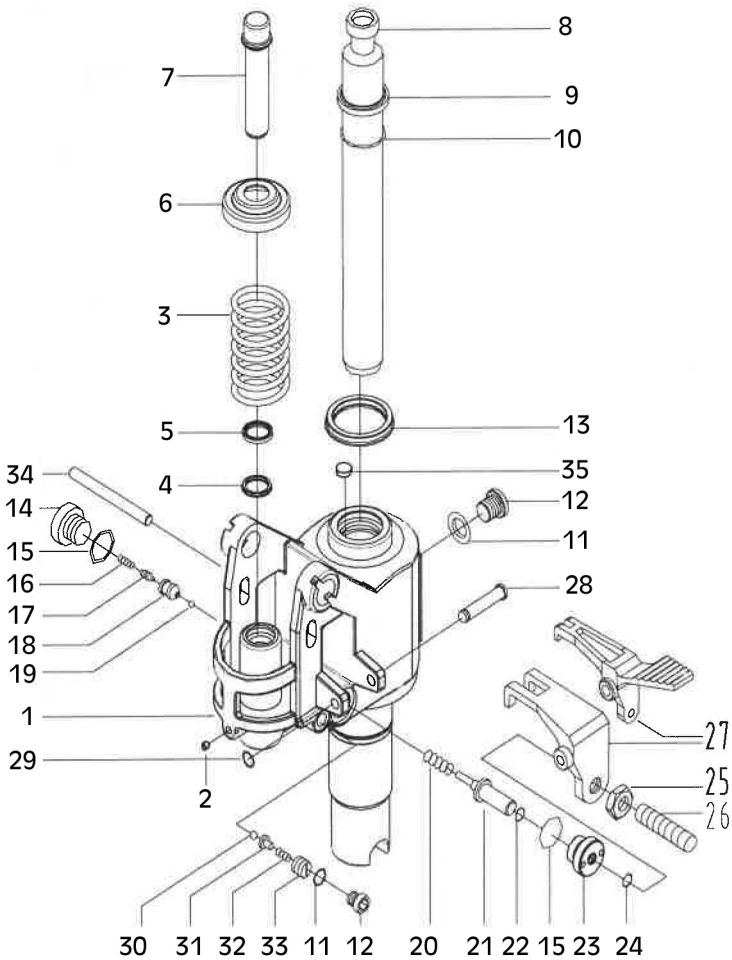


COMPONENT PARTS - FORKS & FRAME

No	Description
1	Handle assembly (see p 15)
2	Retaining pin
3	Hinge pin
4	Pump assembly (see p 14)
5	Bearing ring
6	Base
7	Retaining Circlip
8	Bolt
9	Main wheel assembly
10	Clevis pin
11	Retaining Pin
12	Grub Screw
13	Bolt
14	Ball

No	Description
15	Fork Frame
16	Crank arm
17	Connecting rod
18	Pivot shaft
19	Circlip
20	Pivot pin
21	Fork clevis
22	Retaining pin
23	Pivot Pin
24	Castor
25	Castor pivot pin
26	Retaining pin
27	Ball bearing
28	Side plate

COMPONENT PARTS - PUMP



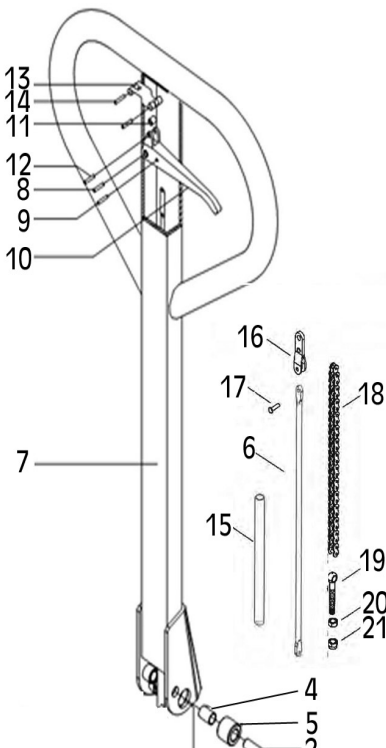
No	Description
1	Base
2	End cap
3	Compression spring
4	Seal ring
5	Dust ring
6	Spring cap

No	Description
12	Bolt
13	Sealing ring
14	Bolt
15	Sealing washer
16	Compression spring
17	Valve core

7	Pump core
8	Piston rod
9	Dust ring
10	O-ring
11	Sealing washer
23	Striker pin seat
24	O-ring
25	Nut M6
26	Screw M6x25
27	Lever plate
28	Stepped shaft
29	Circlip

18	Valve body
19	Steel ball
20	Compression spring
21	Striker Pin
22	O-ring
30	Steel ball
31	Ball seat
32	Compression spring
33	Pressure adjusting screw
34	Pin
35	Magnet
36	Foot pedal

COMPONENT PARTS - HANDLE ASSEMBLY



No	Description
1	Bearing
2	Hole pin
3	Pin 4x20
4	Bearing
5	Wheel
6	Pull rod
7	Handle
8	Pin 6 x 31
9	Pin 4 x 15
10	Knob
11	Wheel

No	Description
12	Pin 4 x 20
13	Fixed plate
14	Spring
15	Sleeve
16	Hinge plate
17	Rivet
18	Chain -19 links
19	Eyebolt
20	Nut M8
21	Nut M8

A SELECTION FROM THE VAST RANGE OF

Clarke®

QUALITY PRODUCTS



AIR COMPRESSORS

From DIY to industrial, Plus air tools, spray guns and accessories.

GENERATORS

Prime duty or emergency standby for business, home and leisure.

POWER WASHERS

Hot and cold, electric and engine driven - we have what you need

WELDERS

Mig, Arc, Tig and Spot. From DIY to auto/industrial.

METALWORKING

Drills, grinders and saws for DIY and professional use.

WOODWORKING

Saws, sanders, lathes, mortisers and dust extraction.

HYDRAULICS

Cranes, body repair kits, transmission jacks for all types of workshop use.

WATER PUMPS

Submersible, electric and engine driven for DIY, agriculture and industry.

POWER TOOLS

Angle grinders, cordless drill sets, saws and sanders.

STARTERS/CHARGERS

All sizes for car and commercial use.

PARTS & SERVICE:

0208 988 7400

Parts Enquiries

Parts@clarkeinternational.com

Servicing & Technical Enquiries

Service@clarkeinternational.com

SALES: UK 01992 565333 or Export 00 44 (0)1992 565335

Clarke INTERNATIONAL Hemnall Street, Epping, Essex CM16 4LG
www.clarkeinternational.com